

[Info]

PcNo=Y00B7020

PcName=2TE67-BV

JpnUse=1

JpnSec1=fGf`fWf`

JpnSec2=-§ -

JpnSec3=TE

JpnPreface=0

EngUse=1

EngSec1=ENGINE

EngSec2=SMALL VERTICAL (SV)

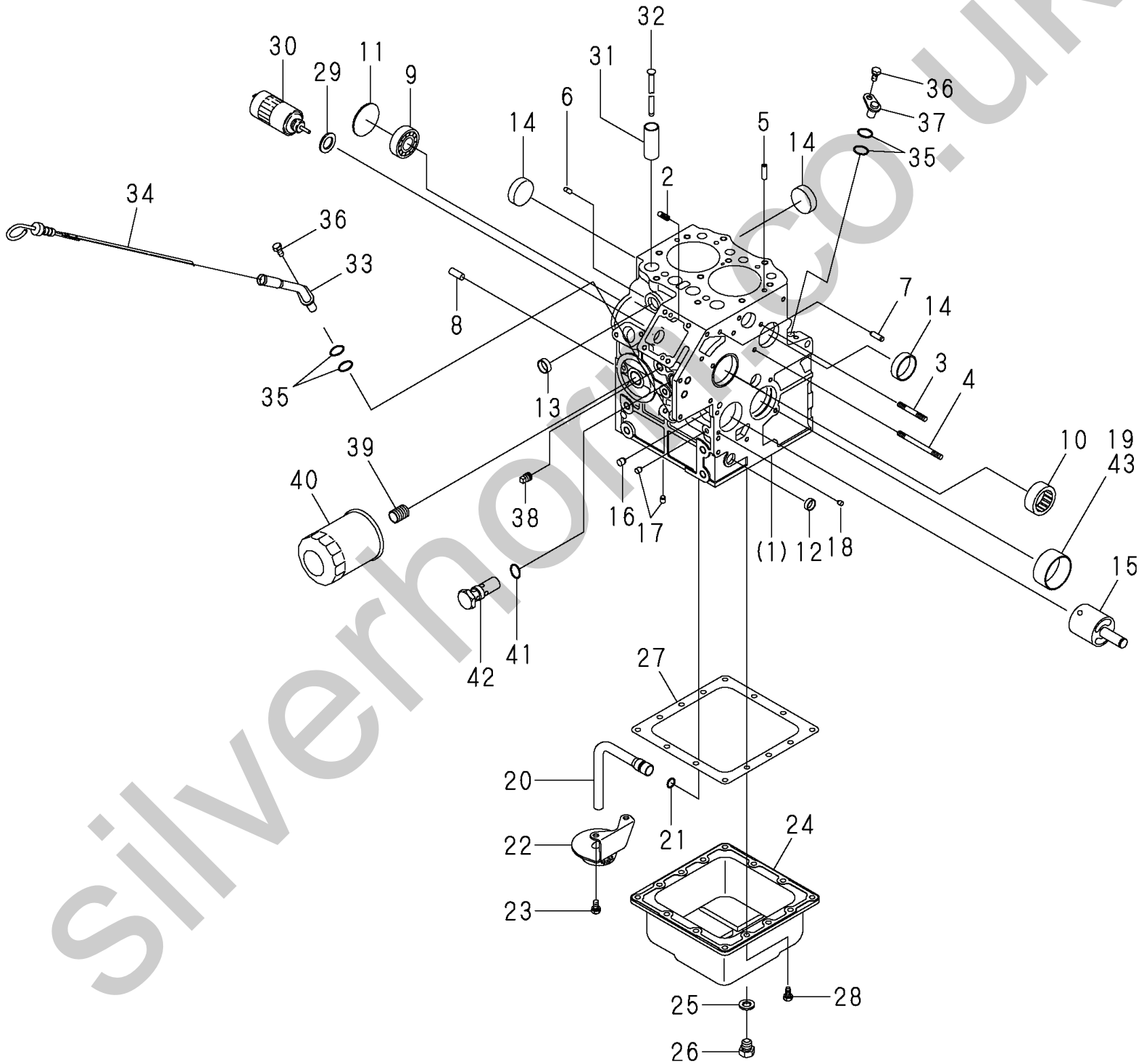
EngSec3=TE

EngPreface=0

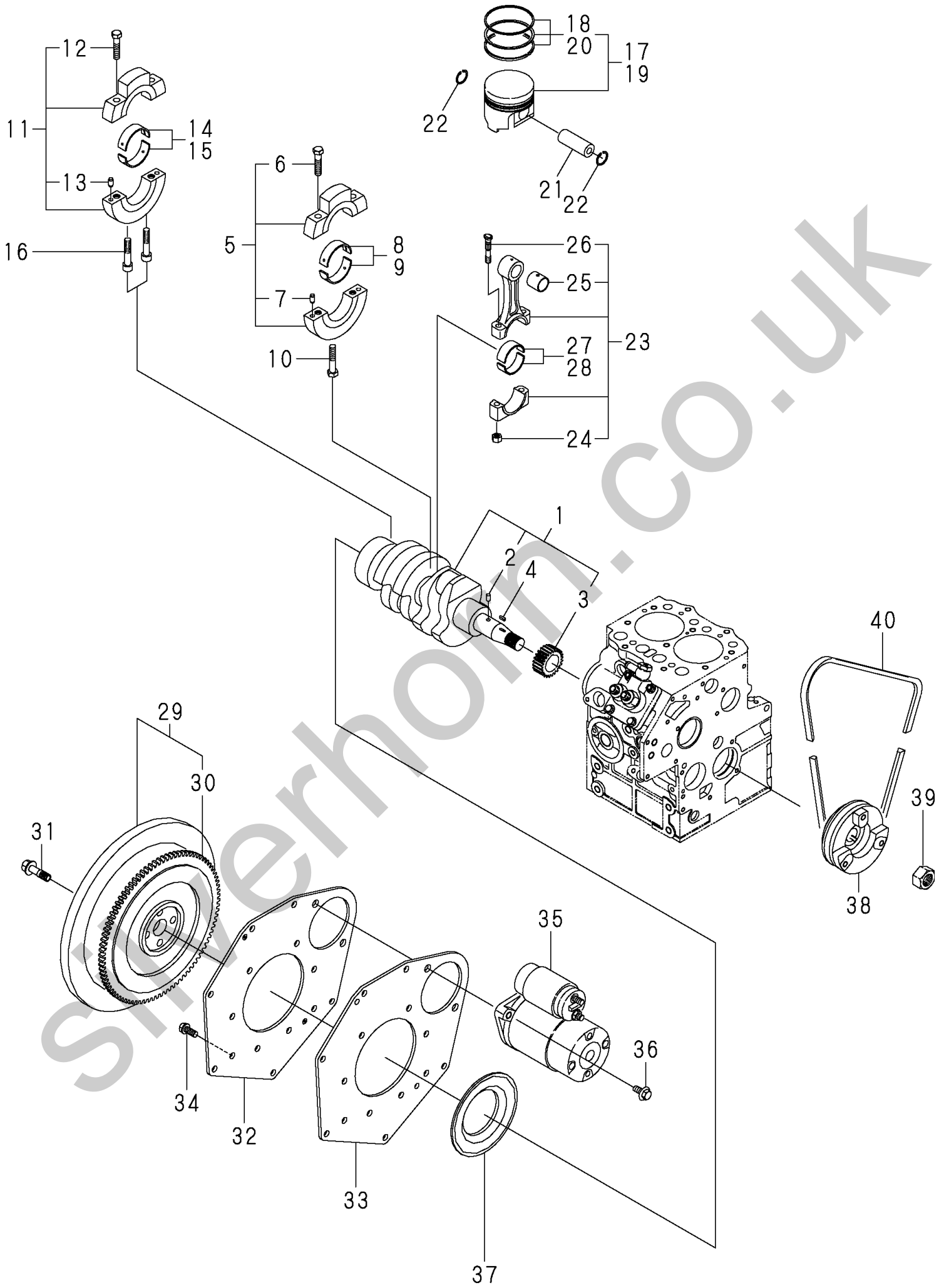
Silverhorn.CO.UK

1,1,,165000-14560,, "CYLINDER BLOCK COMPL",1,,,,,,,,,,,,,
 2,2,,26216-060202,, "STUD M 6X 20 PLATED",2,,,,,,,,,,,,,
 3,2,,165000-23220,, "STUD BOLD",1,,,,,,,,,,,,,
 4,2,,165000-14430,, "STUD BOLD",1,,,,,,,,,,,,,
 5,2,,165000-23270,, "SPRING PIN",2,,,,,,,,,,,,,
 6,2,,1W0305-00512,, "DOWEL PIN",2,,,,,,,,,,,,,
 7,2,,22312-060160,, "PIN 6X16,STRAIGHT",2,,,,,,,,,,,,,
 8,2,,1W0305-00825,, "PIN,KNOCK",2,,,,,,,,,,,,,
 9,2,,24101-062034,, "BALL BEARING",1,,,,,,,,,,,,,
 10,2,,165000-23310,, "NEEDLE BEARING",1,,,,,,,,,,,,,
 11,2,,119623-01250,, "PLUG 45",1,,,,,,,,,,,,,
 12,2,,165000-14490,, "SEALING CAP",1,,,,,,,,,,,,,
 13,2,,165000-14500,, "SEALING CAP",1,,,,,,,,,,,,,
 14,2,,165000-14520,, "SEALING CAP",3,,,,,,,,,,,,,
 15,2,,165000-15540,, "IDLE GEAR SHAFT COMP",1,,,,,,,,,,,,,
 16,2,,165000-23340,, "BLANK PLUG",4,,,,,,,,,,,,,
 17,2,,165000-15790,, "BLANK PLUG",2,,,,,,,,,,,,,
 18,2,,165000-15780,, "BLANK PLUG",3,,,,,,,,,,,,,
 19,2,,165000-15840,, BUSH;S.T.D,1,,,,,,,,,,,,,
 20,1,,165000-15390,, "OIL PIPE",1,,,,,,,,,,,,,
 21,1,,1W0521-09076,, "O-RING 1A P-11.0",1,,,,,,,,,,,,,
 22,1,,165000-15350,, "SUCTION FILTER COMPL",1,,,,,,,,,,,,,
 23,1,,26013-060122,, "BOLT M 6X 12",2,,,,,,,,,,,,,
 24,1,,165000-14640,, "OIL PAN COMPL",1,,,,,,,,,,,,,
 25,1,,22190-120000,, "SEAL WASHER 12(BOLT)",1,,,,,,,,,,,,,
 26,1,,1W0104-11212,, BOLT,1,,,,,,,,,,,,,
 27,1,,165000-14670,, GASKET,1,,,,,,,,,,,,,
 28,1,,165000-23160,, BOLT,14,,,,,,,,,,,,,
 29,1,,22190-160000,, "SEAL WASHER 16(BOLT)",1,,,,,,,,,,,,,
 30,1,,165000-15600,, "STOP SOLENOID",1,,,,,,,,,,,,,
 31,1,,165000-14920,, TAPPET,4,,,,,,,,,,,,,
 32,1,,165000-15030,, "PUSH ROD COMPL",4,,,,,,,,,,,,,
 33,1,,165000-14650,, "GAUGE GUIDE COMPL",1,,,,,,,,,,,,,
 34,1,,165000-15750,, "GAUGE COMPL",1,,,,,,,,,,,,,
 35,1,,165000-14480,, O-RING,4,,,,,,,,,,,,,
 36,1,,26013-060122,, "BOLT M 6X 12",2,,,,,,,,,,,,,
 37,1,,165000-15770,, "PLUG COMPL",1,,,,,,,,,,,,,
 38,1,,1W0645-00020,, PLUG,1,,,,,,,,,,,,,
 39,1,,165000-15370,, JOINT,1,,,,,,,,,,,,,
 40,1,,165000-15360,, "OIL FILTER COMPL",1,,,,,,,,,,,,,
 41,1,,24316-000150,, "O-RING 4D P15",1,,,,,,,,,,,,,
 42,1,,165000-15310,, "RELIEF VALVE ASSY",1,,,,,,,,,,,,,
 43,1,,165000-15850,, BUSH;U.S.O.25,1,,,,,,,,,1,

1 inc. (1) ~ 19



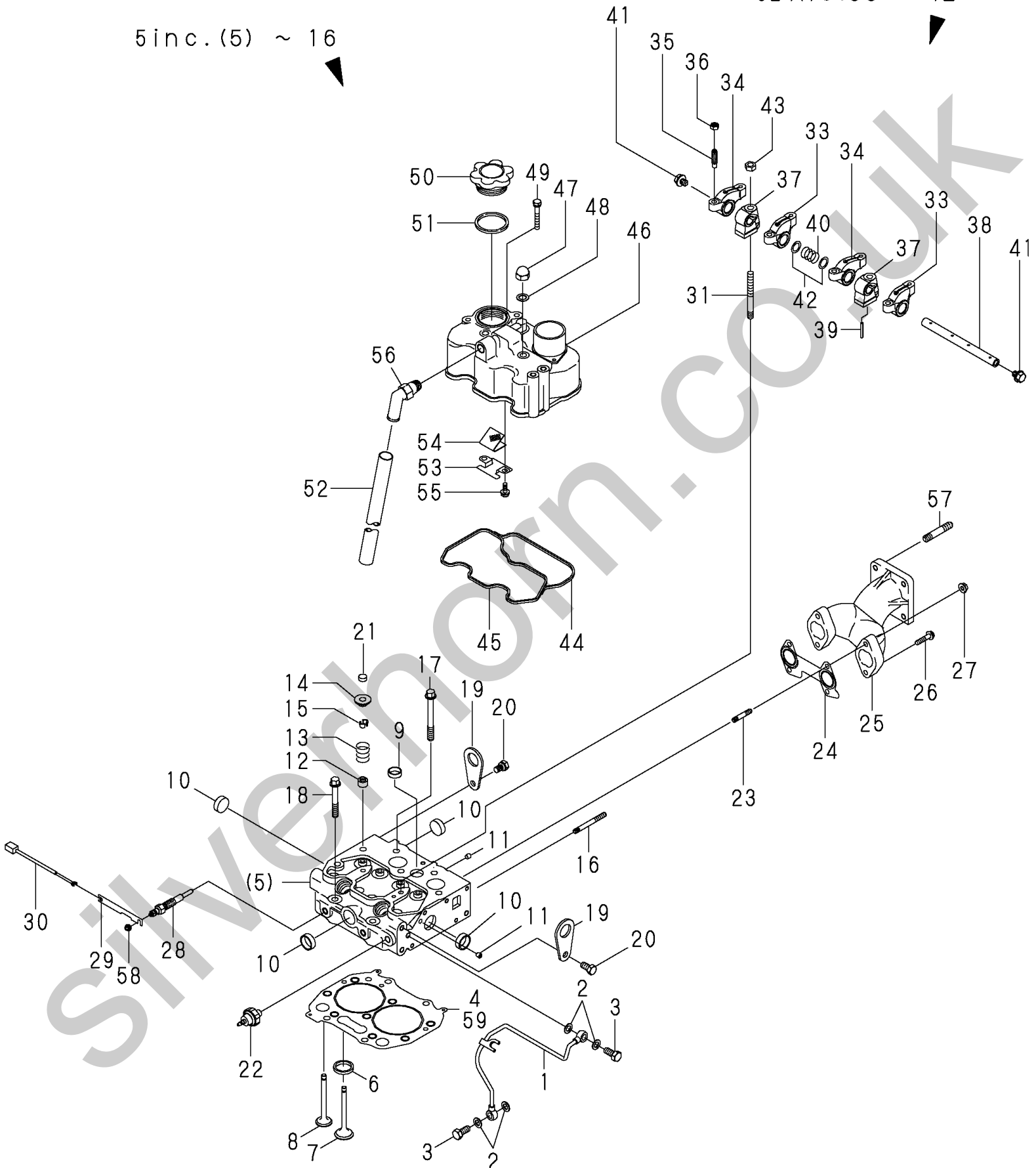
1,1,,165000-14830,, "CRANK SHAFT COMPL",1,,,,,,,,,,,,,,,,,,,,,
2,2,,165000-23290,, "DOWEL PIN",1,,,,,,,,,,,,,,,,,,,,,
3,2,,165000-14840,, "CRANK GEAR",1,,,,,,,,,,,,,,,,,,,,,
4,1,,1W0341-00508,, KEY,1,,,,,,,,,,,,,,,,,,,,,
5,1,,165000-14580,, "BEARING HOLDER ASSY",1,,,,,,,,,,,,,,,,,,,,,
6,2,,26106-080402,, "BOLT M 8X 40 PLATED",2,,,,,,,,,,,,,,,,,,,,,
7,2,,165000-23280,, "DOWEL PIN",2,,,,,,,,,,,,,,,,,,,,,
8,1,,165000-15910,, "METAL KIT;S.T.D",1,,,,,,,,,,,,,,,,,,,,,
9,1,,165000-15920,, "METAL KIT;U.S 0.25",1,,,,,1,,,,,,,,,,,,,
10,1,,26013-080502,, "BOLT M 8X 50",1,,,,,,,,,,,,,,,,,,,,,
11,1,,165000-14590,, "BEARING HOLDER ASSY",1,,,,,,,,,,,,,,,,,,,,,
12,2,,26106-080402,, "BOLT M 8X 40 PLATED",2,,,,,,,,,,,,,,,,,,,,,
13,2,,165000-23280,, "DOWEL PIN",2,,,,,,,,,,,,,,,,,,,,,
14,1,,165000-15890,, "METAL KIT;S.T.D",1,,,,,,,,,,,,,,,,,,,,,
15,1,,165000-15900,, "METAL KIT;U.S 0.25",1,,,,,1,,,,,,,,,,,,,
16,1,,26450-080452,, "BOLT M 8X 45",2,,,,,,,,,,,,,,,,,,,,,
17,1,,165000-14770,, "PISTON KIT;S.T.D",2,,,,,,,,,,,,,,,,,,,,,
18,2,,165000-14800,, "PISTON RING KIT;S.T.",2,,,,,,,,,,,,,,,,,,,,,
19,1,,165000-14780,, "PISTON KIT;O.S.0.25",2,,,,,2,,,,,,,,,,,,,
20,2,,165000-14810,, "PISTON RING KIT;O.S.",2,,,,,2,,,,,,,,,,,,,
21,1,,165000-14850,, "PISTON PIN",2,,,,,,,,,,,,,,,,,,,,,
22,1,,22252-000190,, "CIRCLIP 19",4,,,,,,,,,,,,,,,,,,,,,
23,1,,165000-14790,, "CONNECTING ROD ASSY",2,,,,,,,,,,,,,,,,,,,,,
24,2,,165000-23250,, NUT,4,,,,,,,,,,,,,,,,,,,,,
25,2,,165000-15880,, BUSH,2,,,,,,,,,,,,,,,,,,,,,
26,2,,165000-14820,, BOLT,4,,,,,,,,,,,,,,,,,,,,,
27,1,,165000-15860,, METAL;S.T.D,4,,,,,,,,,,,,,,,,,,,,,
28,1,,165000-15870,, "METAL U.S=0.25",4,,,,,1,,,,,,,,,,,,,
29,1,,165000-14860,, "FLYWHEEL COMPL",1,,,,,,,,,,,,,,,,,,,,,
30,2,,165000-14870,, "RING GEAR",1,,,,,,,,,,,,,,,,,,,,,
31,1,,165000-23180,, BOLT,4,,,,,,,,,,,,,,,,,,,,,
32,1,,165000-14600,, "REAR PLATE",1,,,,,,,,,,,,,,,,,,,,,
33,1,,165000-14610,, "REAR PLATE",1,,,,,,,,,,,,,,,,,,,,,
34,1,,26013-080202,, "BOLT W/WASHER M8X20",8,,,,,,,,,,,,,,,,,,,,,
35,1,,165000-15590,, "STARTING MOTOR ASSY",1,,,,,3,,,,,,,,,,,,,
36,1,,1W0108-10830,, BOLT,2,,,,,,,,,,,,,,,,,,,,,
37,1,,165000-15930,, "OIL SEAL",1,,,,,,,,,,,,,,,,,,,,,
38,1,,165000-14880,, "CRANK SHAFT PULLEY",1,,,,,,,,,,,,,,,,,,,,,
39,1,,1W0208-00018,, NUT,1,,,,,,,,,,,,,,,,,,,,,
40,1,,165000-23330,, V-BELT,1,,,,,,,,,,,,,,,,,,,,,



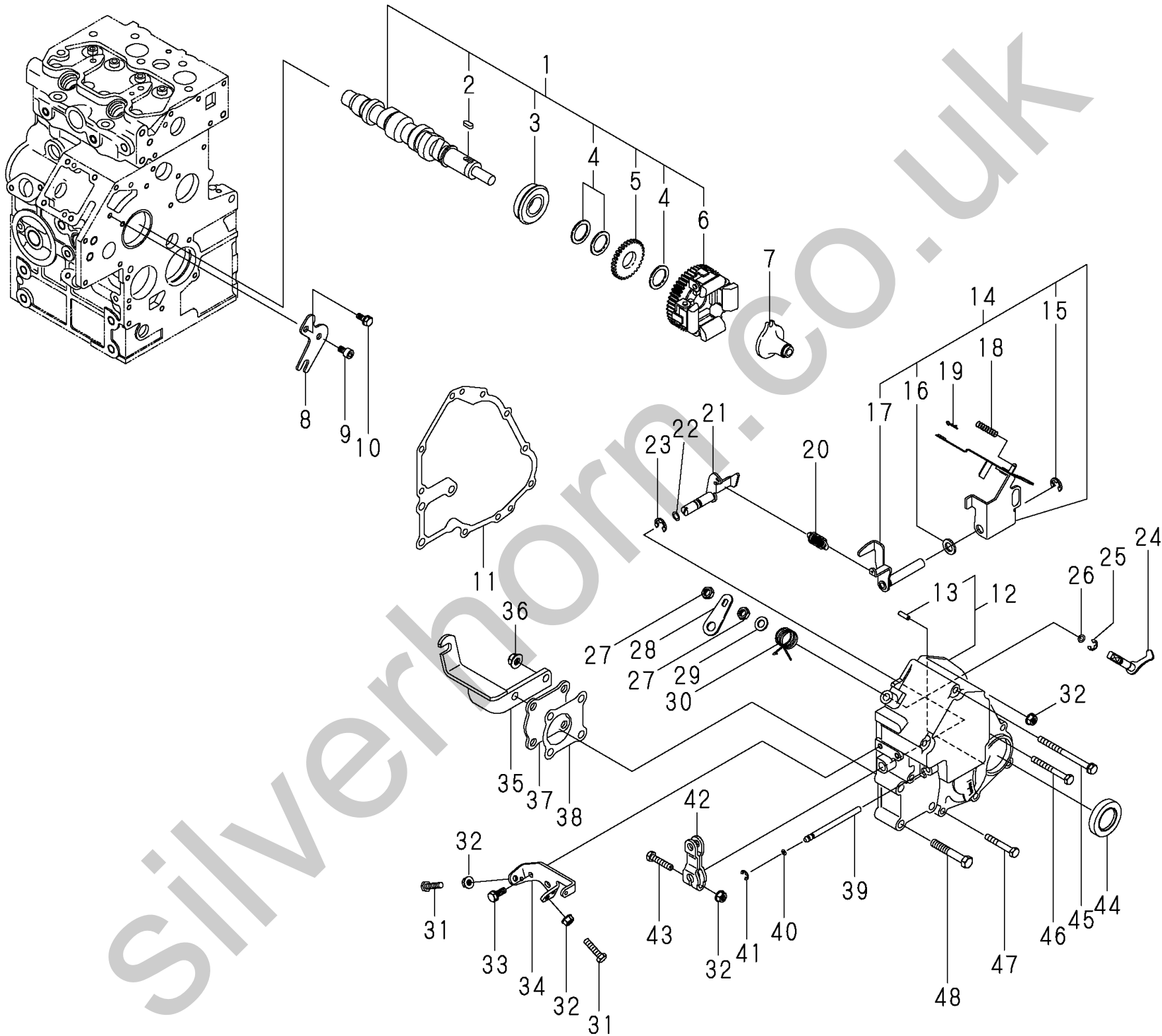
1,1,,165000-15380,, "OIL PIPE COMPL",1,,,,,,,,,,,,,,,,,,,,,
2,1,,165000-15400,, GASKET;M8,4,,,,,,,,,,,,,,,,,,,,,
3,1,,165000-15810,, BOLT,2,,,,,,,,,,,,,,,,,,,,,
4,1,,165000-14690,, "HEAD GASKET;0.5",1,,,,,,,,,,,,,,,,,,,,,
5,1,,165000-14680,, "CYLINDER HEAD ASSY",1,,,,,,,,,,,,,,,,,,,,,
6,2,,165000-14570,, "VALVE SEAT;IN",2,,,,,,,,,,,,,,,,,,,,,
7,2,,165000-14930,, VALVE;IN,2,,,,,,,,,,,,,,,,,,,,,
8,2,,165000-14940,, VALVE;EX,2,,,,,,,,,,,,,,,,,,,,,
9,2,,165000-14500,, "SEALING CAP",1,,,,,,,,,,,,,,,,,,,,,
10,2,,165000-14510,, "SEALING CAP",4,,,,,,,,,,,,,,,,,,,,,
11,2,,165000-15800,, "BLANK PLUG",3,,,,,,,,,,,,,,,,,,,,,
12,2,,165000-15020,, "VALVE GUIDE SEAL",4,,,,,,,,,,,,,,,,,,,,,
13,2,,165000-15700,, SPRING,4,,,,,,,,,,,,,,,,,,,,,
14,2,,165000-14950,, RERAINER,4,,,,,,,,,,,,,,,,,,,,,
15,2,,165000-14970,, COTTER,8,,,,,,,,,,,,,,,,,,,,,
16,2,,165000-23200,, "STUD BOLT",1,,,,,,,,,,,,,,,,,,,,,
17,1,,165000-14710,, "HEAD BOLT",8,,,,,,,,,,,,,,,,,,,,,
18,1,,165000-14720,, "HEAD BOLT",2,,,,,,,,,,,,,,,,,,,,,
19,1,,1W1958-16540,, HANGER,2,,,,,,,,,,,,,,,,,,,,,
20,1,,26013-080162,, "BOLT W/WASHER M8X16",2,,,,,,,,,,,,,,,,,,,,,
21,1,,165000-14960,, "VALVE CAP",4,,,,,,,,,,,,,,,,,,,,,
22,1,,165000-15610,, "OIL PRESSURE SWITCH",1,,,,,,,,,,,,,,,,,,,,,
23,1,,26216-060252,, "STUD M 6X 25 PLATED",2,,,,,,,,,,,,,,,,,,,,,
24,1,,165000-15300,, "GASKET;EX MANIFOLD",1,,,,,,,,,,,,,,,,,,,,,
25,1,,165000-15290,, "EXHAUST MANIFOLD",1,,,,,,,,,,,,,,,,,,,,,
26,1,,26013-060252,, "BOLT M 6X 25",2,,,,,,,,,,,,,,,,,,,,,
27,1,,26366-060002,, "NUT M 6",2,,,,,,,,,,,,,,,,,,,,,
28,1,,165000-15620,, "GLOW PLUG",2,,,,,,,,,,,,,,,,,,,,,
29,1,,165000-15630,, CONNECTER,1,,,,,,,,,,,,,,,,,,,,,
30,1,,165000-15640,, "WIRE HARNESS",1,,,,,,,,,,,,,,,,,,,,,
31,1,,165000-23210,, "STUD BOLT",2,,,,,,,,,,,,,,,,,,,,,
32,1,,165000-14910,, "ROCKER ARM ASSY",1,,,,,,,,,,,,,,,,,,,,,
33,2,,165000-15000,, "ROCKER ARM COMPL;IN",2,,,,,,,,,,,,,,,,,,,,,
34,2,,165000-15010,, "ROCKER ARM COMPL;EX",2,,,,,,,,,,,,,,,,,,,,,
35,2,,165000-16010,, SCREW,4,,,,,,,,,,,,,,,,,,,,,
36,2,,165000-23240,, NUT,4,,,,,,,,,,,,,,,,,,,,,
37,2,,165000-14990,, BRACKET,2,,,,,,,,,,,,,,,,,,,,,
38,2,,165000-14980,, "ROCKER ARM SHAFT",1,,,,,,,,,,,,,,,,,,,,,
39,2,,22351-030025,, "SPRING PIN 3X25",1,,,,,,,,,,,,,,,,,,,,,
40,2,,165000-15710,, SPRING,1,,,,,,,,,,,,,,,,,,,,,
41,2,,165000-23320,, PLUG,2,,,,,,,,,,,,,,,,,,,,,
42,2,,165000-15990,, SHIM,2,,,,,,,,,,,,,,,,,,,,,
43,1,,26366-080002,, "NUT M 8",2,,,,,,,,,,,,,,,,,,,,,
44,1,,165000-14750,, GASKET,1,,,,,,,,,,,,,,,,,,,,,
45,1,,165000-14760,, GASKET,1,,,,,,,,,,,,,,,,,,,,,
46,1,,165000-14730,, "HEAD COVER",1,,,,,,,,,,,,,,,,,,,,,
47,1,,26667-080002,, "CAP NUT M 8",2,,,,,,,,,,,,,,,,,,,,,
48,1,,165000-15400,, GASKET;M8,2,,,,,,,,,,,,,,,,,,,,,
49,1,,165000-14410,, BOLT,1,,,,,,,,,,,,,,,,,,,,,
50,1,,165000-15760,, CAP,1,,,,,,,,,,,,,,,,,,,,,
51,1,,24311-000400,, "O-RING 1A P-40.0",1,,,,,,,,,,,,,,,,,,,,,
52,1,,23064-120560,, "VINYL TUBE",1,,,,,,,,,,,,,,,,,,,,,
53,1,,165000-14620,, "OIL STOPPER",1,,,,,,,,,,,,,,,,,,,,,
54,1,,165000-14630,, FILTER,1,,,,,,,,,,,,,,,,,,,,,
55,1,,26116-060102,, "BOLT M 6X 10 PLATED",2,,,,,,,,,,,,,,,,,,,,,
56,1,,165000-14660,, PIPE,1,,,,,,,,,,,,,,,,,,,,,
57,1,,26216-080202,, "STUD M 8X 20 PLATED",4,,,,,,,,,,,,,,,,,,,,,
58,1,,26367-040002,, "NUT 4",2,,,,,,,,,,,,,,,,,,,,,
59,1,,165000-14700,, "HEAD GASKET;0.6",1,,,,,,,,,,,,,,,,,,,,,

5 inc.(5) ~ 16

32 inc.33 ~ 42

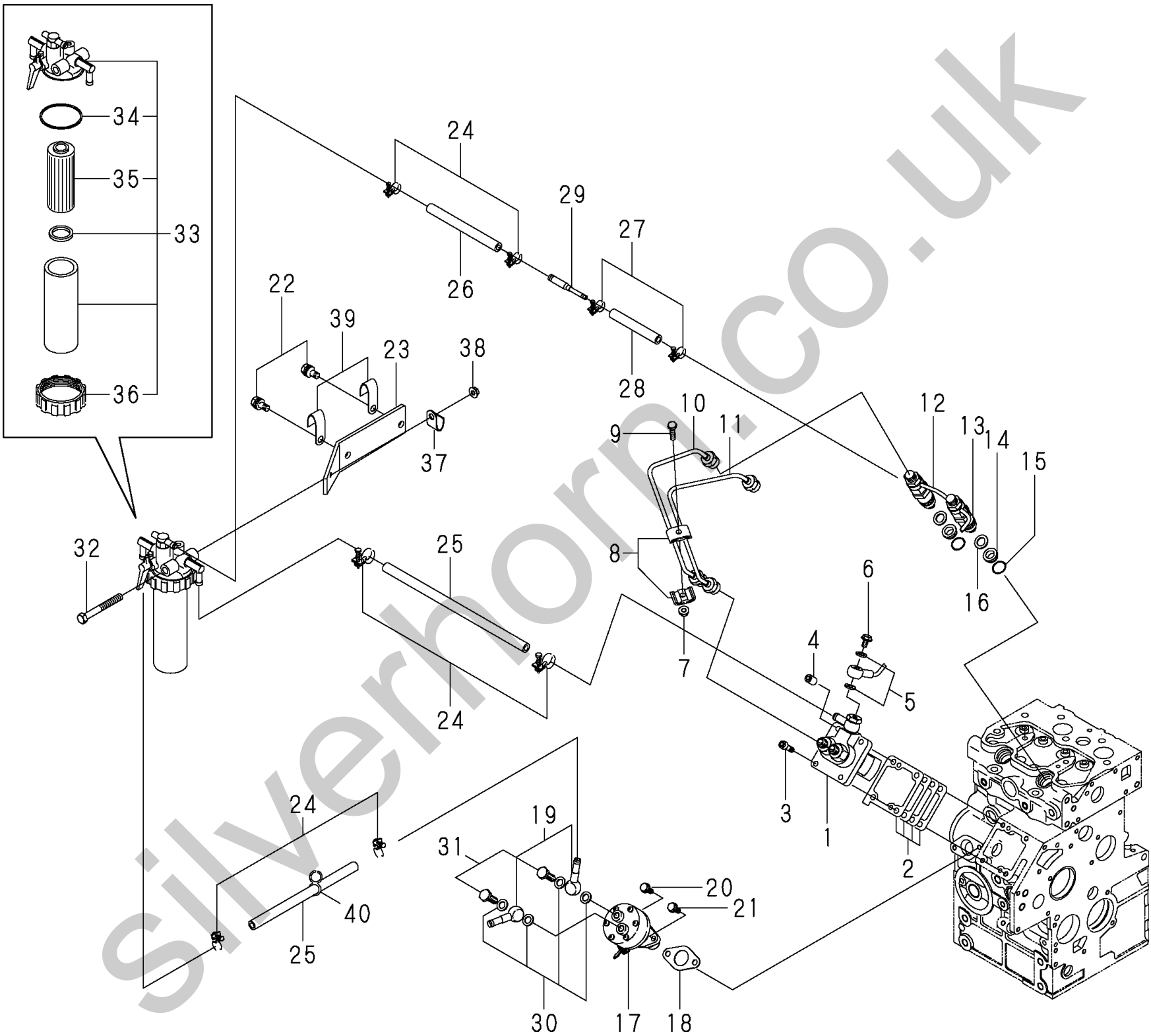


1,1,,165000-14900,, "CAMSHAFT ASSY",1,
2,2,,1W0341-00508,, KEY,1,
3,2,,165000-23300,, BEARING,1,
4,2,,165000-15960,, APACER,3,
5,2,,165000-15040,, GEAR,1,
6,2,,165000-14890,, "CAMGEAR COMPL",1,
7,1,,165000-15100,, "SLIDER COMPL",1,
8,1,,165000-16020,, PLATE,1,
9,1,,26450-060102,, "BOLT M 6X 10",1,
10,1,,26013-060122,, "BOLT M 6X 12",1,
11,1,,165000-15560,, GASKET,1,
12,1,,165000-15510,, "TIMING GEAR CASE COM",1,
13,2,,1W0303-00414,, PIN,1,
14,1,,165000-15050,, "GOVENOR LEVER ASSY",1,
15,2,,22272-000080,, "CIRCLIP E- 8",1,
16,2,,22117-100000,, "WASHER 10",1,
17,2,,165000-15110,, "GOVENOR LEVER ASSY",1,
18,1,,165000-15740,, "SPRING PIN",1,
19,1,,22372-040000,, "SNAP PIN 4",1,
20,1,,165000-15720,, SPRING,1,
21,1,,165000-15070,, "ARM COMPL",1,
22,1,,165000-14470,, O-RING,1,
23,1,,22272-000080,, "CIRCLIP E- 8",1,
24,1,,165000-15080,, "ARM COMPL",1,
25,1,,22272-000060,, "CIRCLIP E- 6",1,
26,1,,165000-14460,, O-RING,1,
27,1,,26756-080002,, "LOCK NUT M 8 PLATED",2,
28,1,,165000-15090,, "ATOP LEVER",1,
29,1,,22117-080000,, "WASHER 8",1,
30,1,,165000-15680,, SPTRING,1,
31,1,,165000-23170,, BOLT,2,
32,1,,26366-060002,, "NUT M 6",4,
33,1,,26013-060162,, "BOLT M 6X 16",2,
34,1,,165000-15130,, ATAY,1,
35,1,,165000-15660,, "ATAY;CABLE SUPORT",1,
36,1,,26366-080002,, "NUT M 8",4,
37,1,,165000-15530,, COVER,1,
38,1,,165000-15570,, GASKET,1,
39,1,,165000-15060,, SHAFT,1,
40,1,,165000-14450,, O-RING,2,
41,1,,22272-000050,, "CIRCLIP E- 5",1,
42,1,,165000-15120,, "GOVENOR LEVER",1,
43,1,,1W0101-10630,, BOLT,1,
44,1,,165000-15940,, "OIL SEAL",1,
45,1,,165000-14420,, BOLT,2,
46,1,,165000-14410,, BOLT,2,
47,1,,26013-060402,, "BOLT M 6X 40",4,
48,1,,26116-080552,, "BOLT 8X55",4,

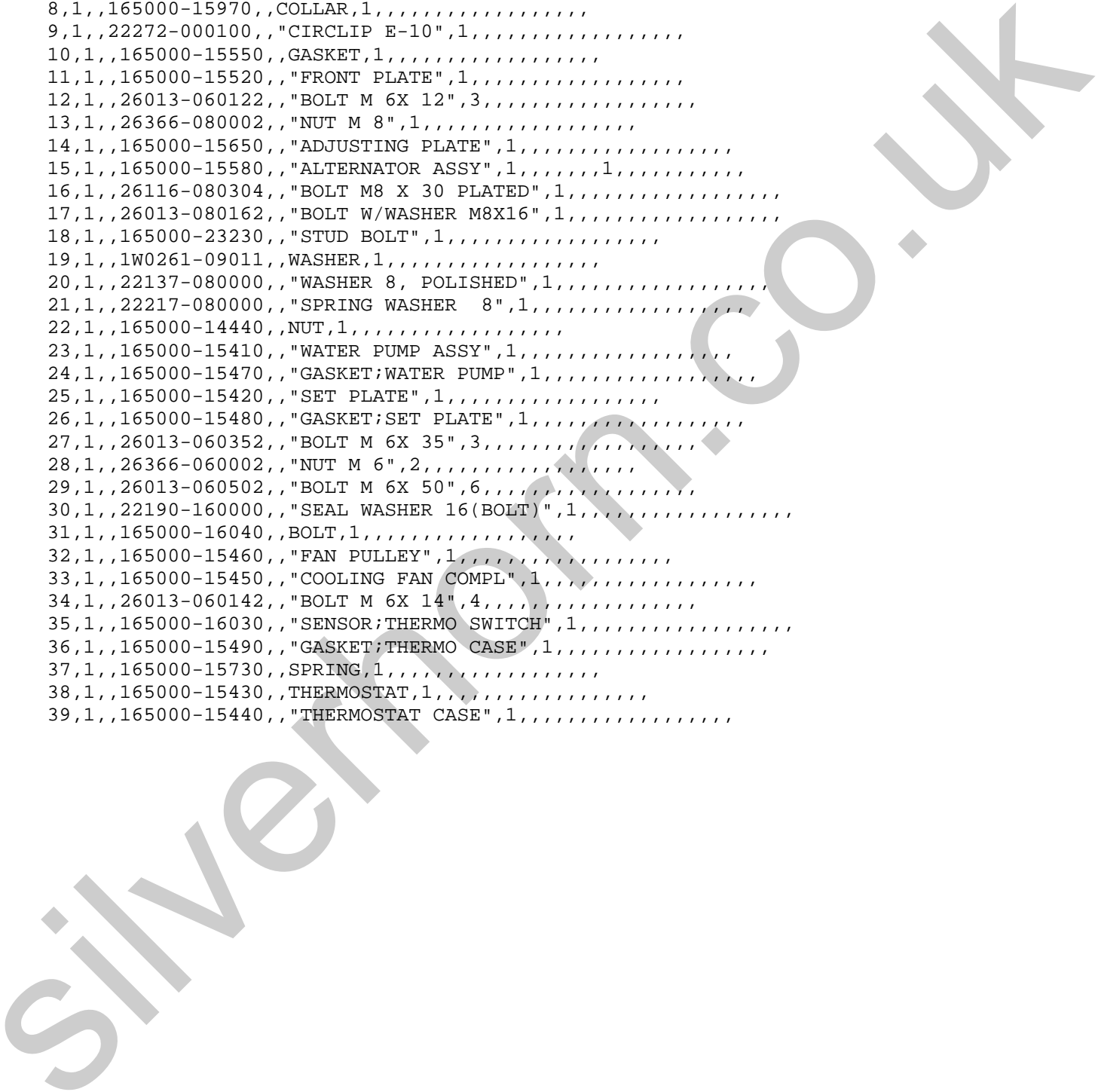


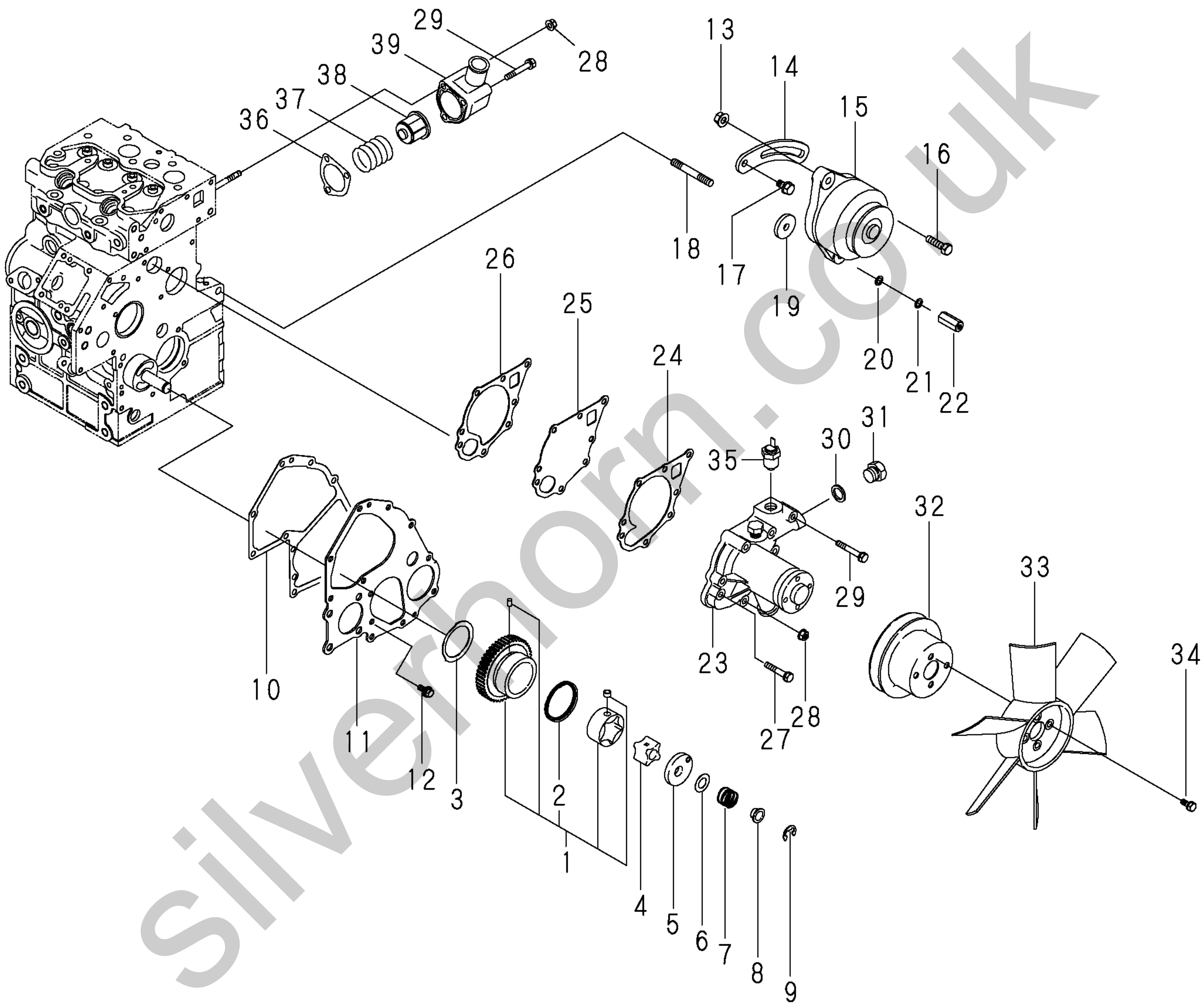
1,1,,165000-15210,, "INJECTION PUMP ASSY",1,,,,,,,,1,,,,,,,,,
2,1,,165000-15250,, "SIM SET",1,,,,,,,,,
3,1,,26450-060202,, "BOLT M 6X 20",2,,,,,,,,,
4,1,,165000-15220,, "NUT;INJECTION PUMP",2,,,,,,,,,
5,1,,1W0251-00006,, "SEAL WASHER",2,,,,,,,,,
6,1,,165000-15330,, SCREW,1,,,,,,,,,
7,1,,26366-060002,, "NUT M 6",1,,,,,,,,,
8,1,,1W1991-06020,, CLAMP,2,,,,,,,,,
9,1,,26116-060252,, "BOLT 6X25",1,,,,,,,,,
10,1,,165000-15270,, "INJECTION PIPE",1,,,,,,,,,
11,1,,165000-15260,, "INJECTION PIPE",1,,,,,,,,,
12,1,,165000-15280,, "RETURN PIPE COMPL",1,,,,,,,,,
13,1,,165000-15230,, "INJECTOR ASSY",2,,,,,,,,2,,,,,,,,,
14,1,,165000-14740,, INSERT,2,,,,,,,,,
15,1,,165000-15950,, GASKET,2,,,,,,,,,
16,1,,165000-15240,, GASKET,2,,,,,,,,,
17,1,,165000-15160,, "FEED PUMP ASSY",1,,,,,,,,,
18,1,,165000-15200,, "GASKET;FEED PUMP",1,,,,,,,,,
19,1,,165000-15820,, "EYE CPMP",2,,,,,,,,,
20,1,,1W0111-40614,, BOLT,1,,,,,,,,,
21,1,,165000-23190,, BOLT,1,,,,,,,,,
22,1,,26013-080162,, "BOLT W/WASHER M8X16",2,,,,,,,,,
23,1,,165000-15190,, "STAY;FUEL FILTEER",1,,,,,,,,,
24,1,,1W0672-00130,, CLIP,6,,,,,,,,,
25,1,,165000-14540,, HOSE,2,,,,,,,,,
26,1,,165000-14530,, HOSE,1,,,,,,,,,
27,1,,1W0672-00078,, "HOSE CLIP",2,,,,,,,,,
28,1,,165000-14550,, HOSE,1,,,,,,,,,
29,1,,165000-15830,, "PIPE COMPL",1,,,,,,,,,
30,1,,165000-15170,, GASKET,4,,,,,,,,,
31,1,,165000-15180,, "JOINT BOLT",2,,,,,,,,,
32,1,,165000-16910,, BOLT,1,,,,,,,,,
33,1,,165000-15140,, "FUEL FILTER ASSY",1,,,,,,,,,
34,2,,24311-000440,, "O-RING 1A P-44.0",1,,,,,,,,,
35,2,,1W3607-20060,, ELEMENT,1,,,,,,,,,
36,2,,165000-15150,, "RING NUT",1,,,,,,,,,
37,1,,1W3991-11970,, CLAMP,1,,,,,,,,,
38,1,,26366-080002,, "NUT M 8",1,,,,,,,,,
39,1,,1W3991-12980,, CLAMP,2,,,,,,,,,
40,1,,1W3991-12190,, CLAMP,1,,,,,,,,,





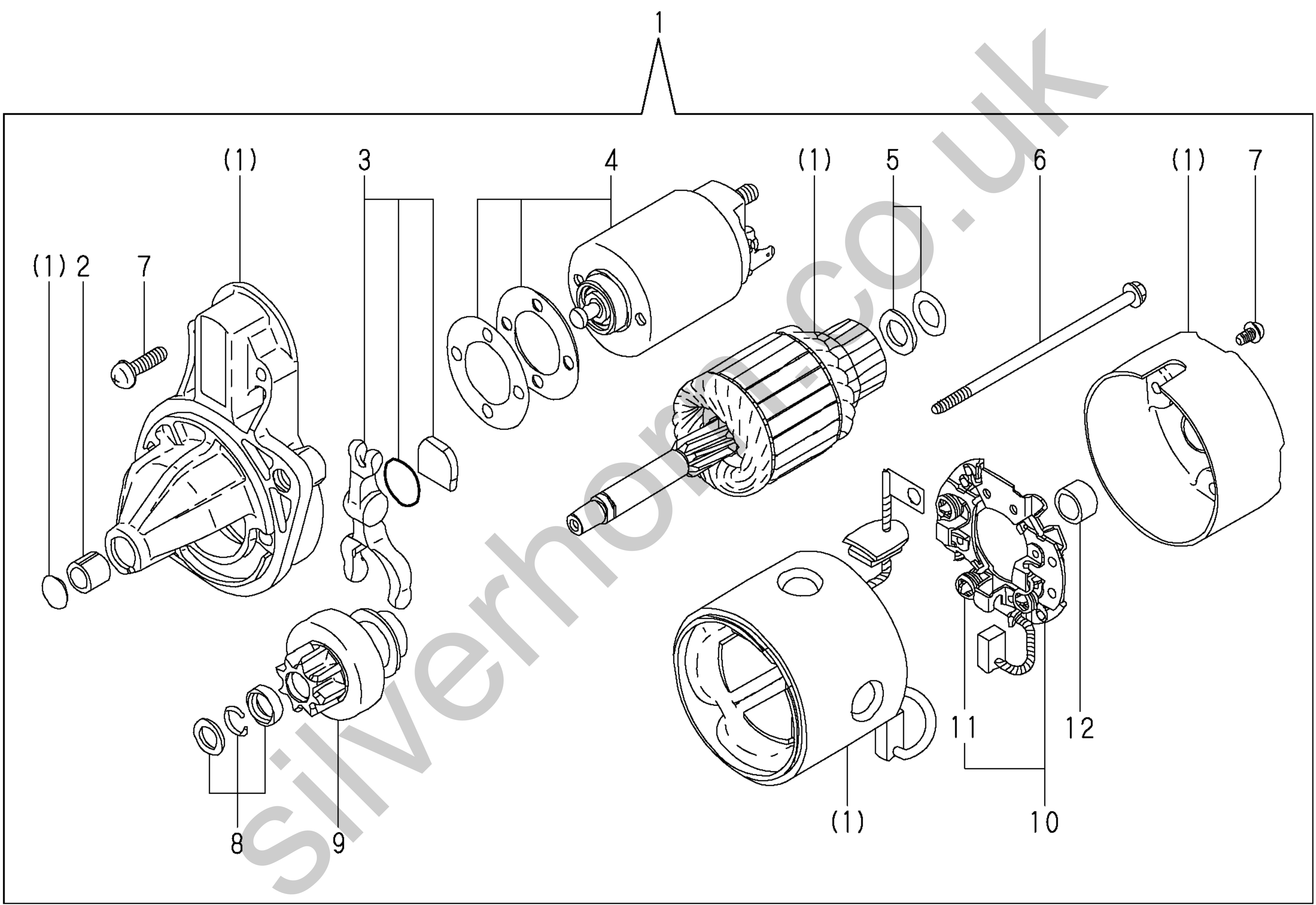
1,1,,165000-15500,, "IDLE GEAR ASSY",1,,,,,,,,,,,,,
2,2,,165000-15690,, SPRING,1,,,,,,,,,,,,,
3,1,,165000-15980,, "THRUST WASHER",1,,,,,,,,,,,,,
4,1,,165000-15340,, ROTOR,1,,,,,,,,,,,,,
5,1,,165000-15320,, "OIL PUMP COVER",1,,,,,,,,,,,,,
6,1,,165000-16000,, "SHIM SET",1,,,,,,,,,,,,,
7,1,,165000-15670,, SPRING,1,,,,,,,,,,,,,
8,1,,165000-15970,, COLLAR,1,,,,,,,,,,,,,
9,1,,22272-000100,, "CIRCLIP E-10",1,,,,,,,,,,,,,
10,1,,165000-15550,, GASKET,1,,,,,,,,,,,,,
11,1,,165000-15520,, "FRONT PLATE",1,,,,,,,,,,,,,
12,1,,26013-060122,, "BOLT M 6X 12",3,,,,,,,,,,,,,
13,1,,26366-080002,, "NUT M 8",1,,,,,,,,,,,,,
14,1,,165000-15650,, "ADJUSTING PLATE",1,,,,,,,,,,,,,
15,1,,165000-15580,, "ALTERNATOR ASSY",1,,,,,1,,,,,,,,,,,,,
16,1,,26116-080304,, "BOLT M8 X 30 PLATED",1,,,,,,,,,,,,,
17,1,,26013-080162,, "BOLT W/WASHER M8X16",1,,,,,,,,,,,,,
18,1,,165000-23230,, "STUD BOLT",1,,,,,,,,,,,,,
19,1,,1W0261-09011,, WASHER,1,,,,,,,,,,,,,
20,1,,22137-080000,, "WASHER 8, POLISHED",1,,,,,,,,,,,,,
21,1,,22217-080000,, "SPRING WASHER 8",1,,,,,,,,,,,,,
22,1,,165000-14440,, NUT,1,,,,,,,,,,,,,
23,1,,165000-15410,, "WATER PUMP ASSY",1,,,,,,,,,,,,,
24,1,,165000-15470,, "GASKET;WATER PUMP",1,,,,,,,,,,,,,
25,1,,165000-15420,, "SET PLATE",1,,,,,,,,,,,,,
26,1,,165000-15480,, "GASKET;SET PLATE",1,,,,,,,,,,,,,
27,1,,26013-060352,, "BOLT M 6X 35",3,,,,,,,,,,,,,
28,1,,26366-060002,, "NUT M 6",2,,,,,,,,,,,,,
29,1,,26013-060502,, "BOLT M 6X 50",6,,,,,,,,,,,,,
30,1,,22190-160000,, "SEAL WASHER 16(BOLT)",1,,,,,,,,,,,,,
31,1,,165000-16040,, BOLT,1,,,,,,,,,,,,,
32,1,,165000-15460,, "FAN PULLEY",1,,,,,,,,,,,,,
33,1,,165000-15450,, "COOLING FAN COMPL",1,,,,,,,,,,,,,
34,1,,26013-060142,, "BOLT M 6X 14",4,,,,,,,,,,,,,
35,1,,165000-16030,, "SENSOR;THERMO SWITCH",1,,,,,,,,,,,,,
36,1,,165000-15490,, "GASKET;THERMO CASE",1,,,,,,,,,,,,,
37,1,,165000-15730,, SPRING,1,,,,,,,,,,,,,
38,1,,165000-15430,, THERMOSTAT,1,,,,,,,,,,,,,
39,1,,165000-15440,, "THERMOSTAT CASE",1,,,,,,,,,,,,,





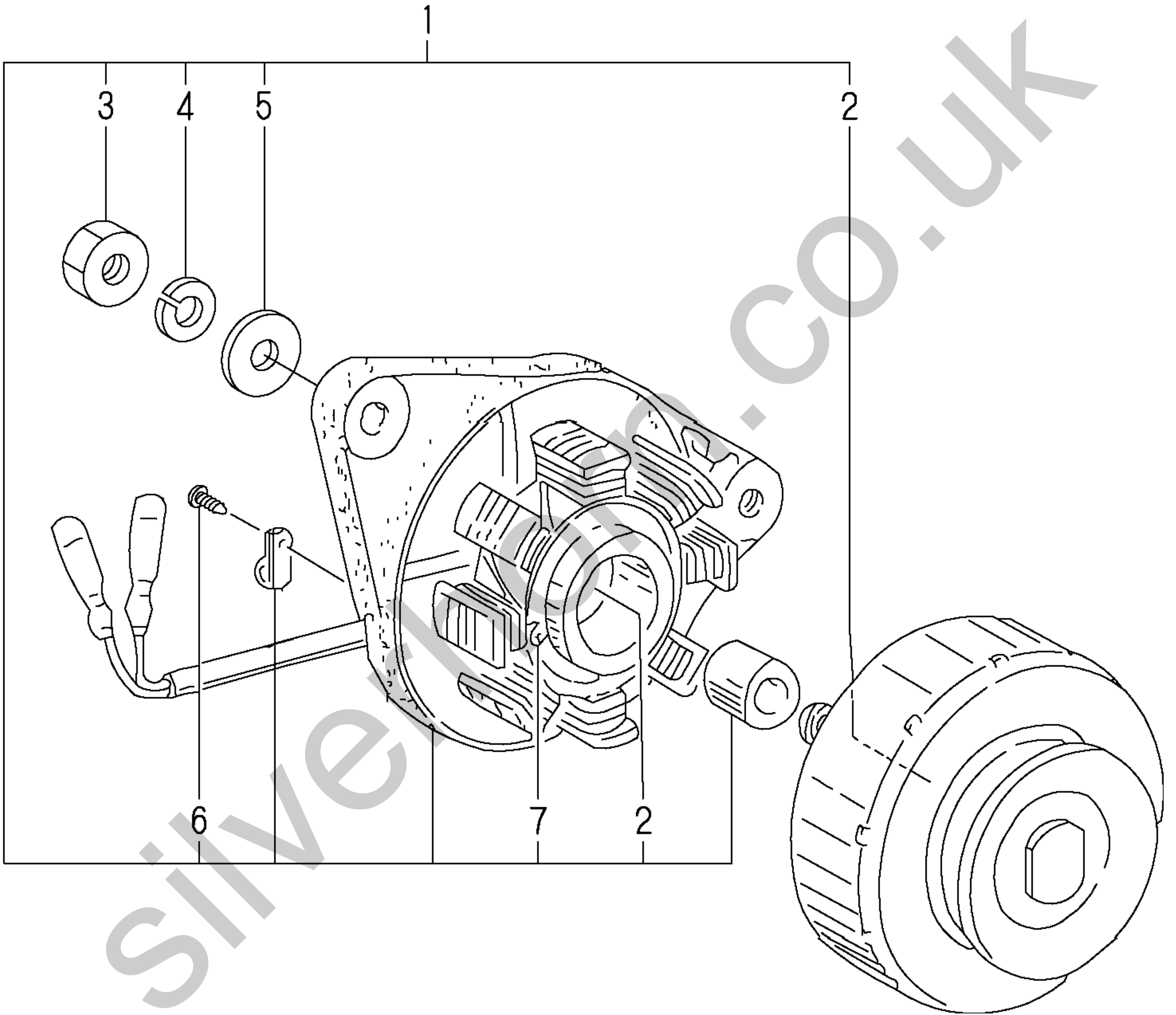
1,1,,165000-15590,, "STARTING MOTOR ASSY",1,,,,,,,,,,,,,
2,2,,165000-16050,, BUSHING-FRONT,1,,,,,,,,,,,,,
3,2,,165000-16060,, "LEVER KIT",1,,,,,,,,,,,,,
4,2,,165000-16070,, "SWITCH ASSY",1,,,,,,,,,,,,,
5,2,,165000-16080,, "WASHER KIT",1,,,,,,,,,,,,,
6,2,,165000-16090,, "THROUGH BOLT",2,,,,,,,,,,,,,
7,2,,165000-16100,, SET-SCREW,1,,,,,,,,,,,,,
8,2,,165000-16110,, "STOPPER SET",1,,,,,,,,,,,,,
9,2,,165000-16120,, "PINION ASSY",1,,,,,,,,,,,,,
10,2,,165000-16130,, "HOLDER ASSY",1,,,,,,,,,,,,,
11,3,,165000-16140,, SPRING,3,,,,,,,,,,,,,
12,2,,165000-16150,, BUSHING-REAR,1,,,,,,,,,,,,,

Silverhorn.CO.UK



1,1,,165000-15580,, "ALTERNATOR ASSY",1,,,,,,,,,,,,,
2,2,,24107-062014,, "BALL BEARING",2,,,,,,,,,,,,,
3,2,,165000-23260,, NUT,1,,,,,,,,,,,,,
4,2,,22217-100000,, "SPRING WASHER 10",1,,,,,,,,,,,,,
5,2,,22137-100000,, "WASHER 10,POLISHED",1,,,,,,,,,,,,,
6,2,,26022-040082,, "SCREW M 4X 8",1,,,,,,,,,,,,,
7,2,,26022-040252,, "SCREW M 4X 25",2,,,,,,,,,,,,,

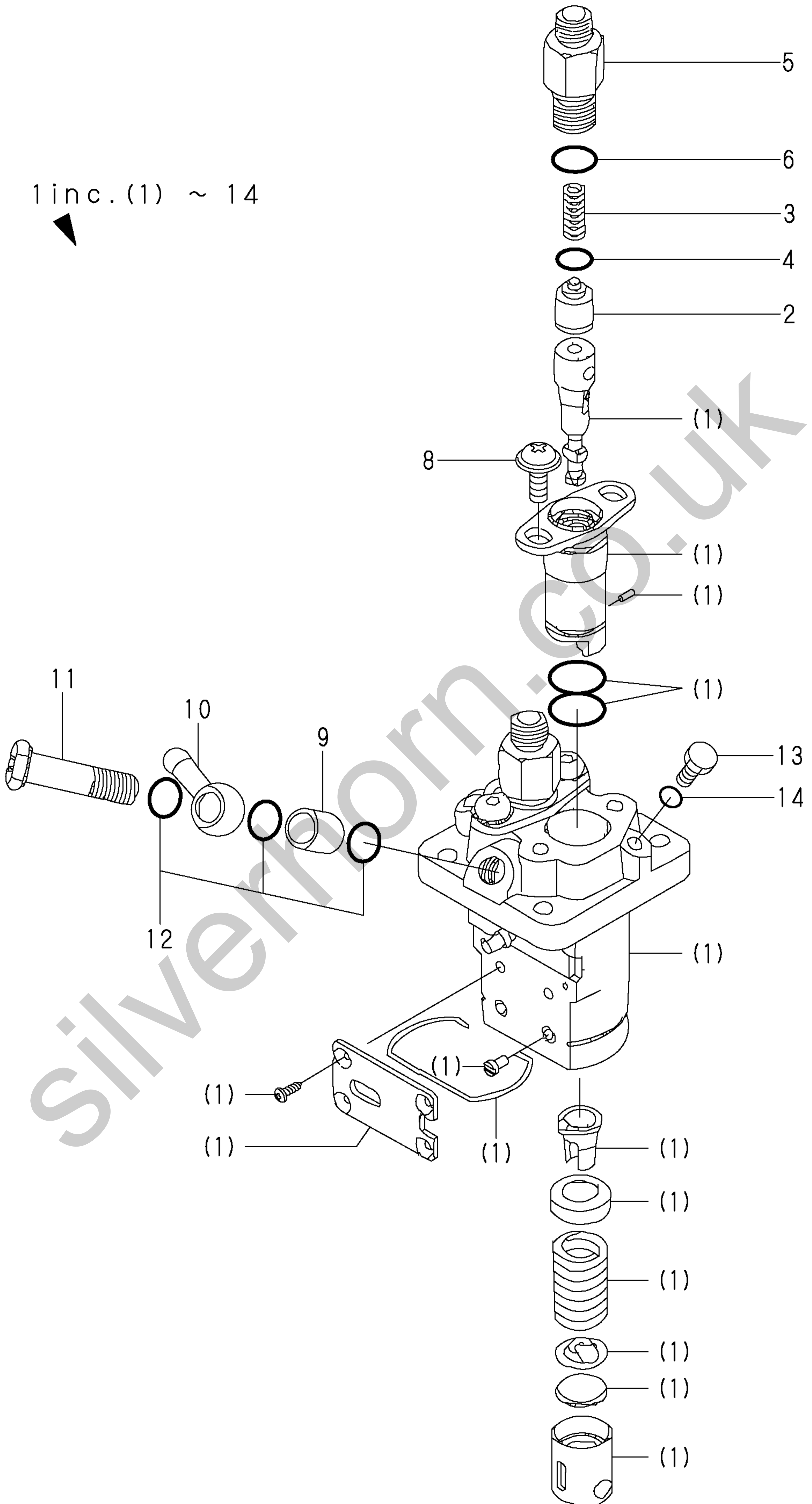
Silverhorn.CO.UK



1,1,,165000-15210,, "INJECTION PUMP ASSY",1,,,,,,,,,,,,,
2,2,,165000-16160,, "DELIVERY VALVE",2,,,,,,,,,,,,,
3,2,,165000-16170,, "SPRING ;D.V.",2,,,,,,,,,,,,,
4,2,,165000-16180,, GASKET,2,,,,,,,,,,,,,
5,2,,165000-16190,, "HOLDER ;D.V.",2,,,,,,,,,,,,,
6,2,,165000-16200,, "O RING",2,,,,,,,,,,,,,
8,2,,165000-16220,, SCREW,4,,,,,,,,,,,,,
9,2,,165000-16230,, COLLAR,1,,,,,,,,,,,,,
10,2,,165000-16240,, EYE,1,,,,,,,,,,,,,
11,2,,165000-16250,, "EYE BOLT",1,,,,,,,,,,,,,
12,2,,165000-16260,, GASKET,3,,,,,,,,,,,,,
13,2,,165000-16270,, BOLT,1,,,,,,,,,,,,,
14,2,,165000-16280,, GASKET,1,,,,,,,,,,,,,

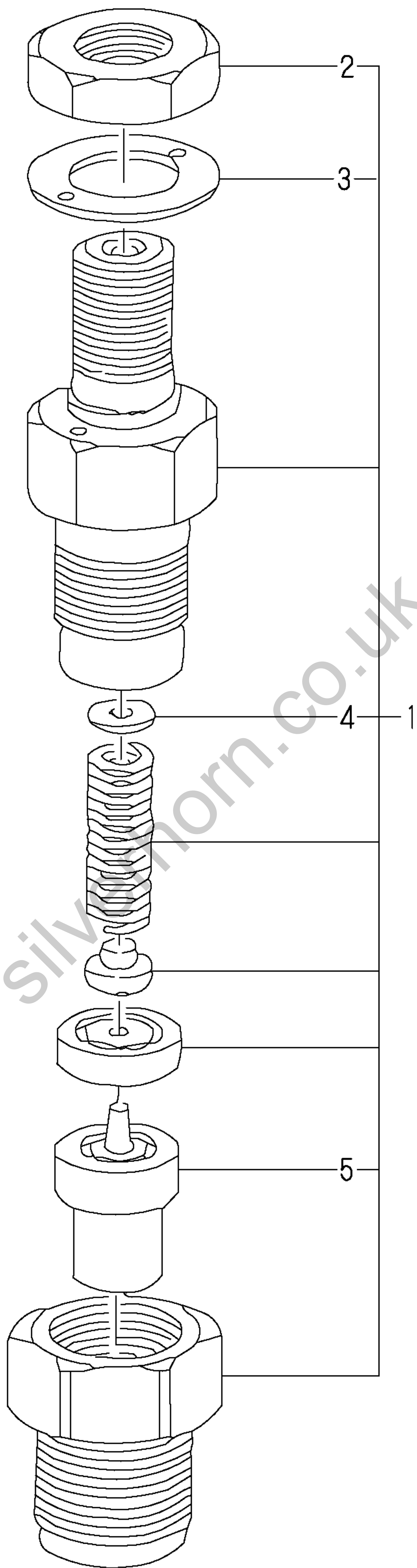
Silverhorn.CO.UK

1 inc. (1) ~ 14



1,1,,165000-15230,, "INJECTOR ASSY",1,,,,,,,,,,,,,,,,,,,,,
2,2,,165000-16290,, NUT,1,,,,,,,,,,,,,,,,,,,,,
3,2,,165000-16300,, GASKET,1,,,,,,,,,,,,,,,,,,,,,
4,2,,165000-16310,, "SHIM KIT",1,,,,,,,,,,,,,,,,,,,,,
5,2,,165000-16320,, "NOZZLE ASSY",1,,,,,,,,,,,,,,,,,,,,,

Silverhorn.CO.UK

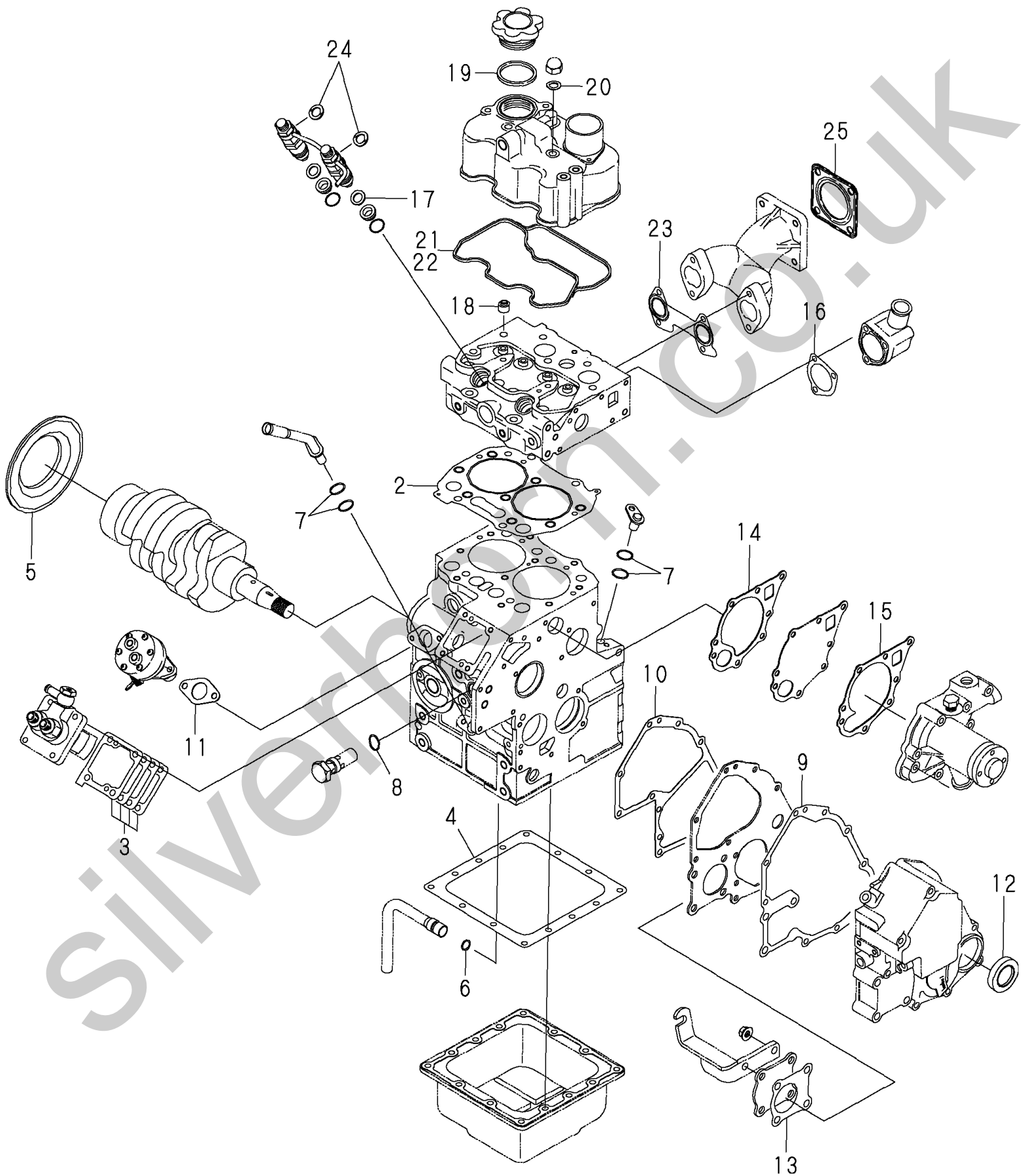


Silver Horn .CO.UK

1,1,,165000-16330,, "GASKET KIT",1,,,,,,,,,1,,,,,,,,,
2,2,,165000-14700,, "HEAD GASKET;0.6",1,,,,,,,,,1,,,,,,,,,
3,2,,165000-15250,, "SIM SET",1,,,,,,,,,1,,,,,,,,,
4,2,,165000-14670,, GASKET,1,,,,,,,,,1,,,,,,,,,
5,2,,165000-15930,, "OIL SEAL",1,,,,,,,,,1,,,,,,,,,
6,2,,1W0521-09076,, "O-RING 1A P-11.0",1,,,,,,,,,1,,,,,,,,,
7,2,,165000-14480,, O-RING,4,,,,,,,,,1,,,,,,,,,
8,2,,24316-000150,, "O-RING 4D P15",1,,,,,,,,,1,,,,,,,,,
9,2,,165000-15560,, GASKET,1,,,,,,,,,1,,,,,,,,,
10,2,,165000-15550,, GASKET,1,,,,,,,,,1,,,,,,,,,
11,2,,165000-15200,, "GASKET;FEED PUMP",1,,,,,,,,,1,,,,,,,,,
12,2,,165000-15940,, "OIL SEAL",1,,,,,,,,,1,,,,,,,,,
13,2,,165000-15570,, GASKET,1,,,,,,,,,1,,,,,,,,,
14,2,,165000-15480,, "GASKET;SET PLATE",1,,,,,,,,,1,,,,,,,,,
15,2,,165000-15470,, "GASKET;WATER PUMP",1,,,,,,,,,1,,,,,,,,,
16,2,,165000-15490,, "GASKET;THERMO CASE",1,,,,,,,,,1,,,,,,,,,
17,2,,165000-15240,, GASKET,2,,,,,,,,,1,,,,,,,,,
18,2,,165000-15020,, "VALVE GUIDE SEAL",4,,,,,,,,,1,,,,,,,,,
19,2,,24311-000440,, "O-RING 1A P-44.0",1,,,,,,,,,1,,,,,,,,,
20,2,,165000-15400,, GASKET;M8,6,,,,,,,,,1,,,,,,,,,
21,2,,165000-14760,, GASKET,1,,,,,,,,,1,,,,,,,,,
22,2,,165000-14750,, GASKET,1,,,,,,,,,1,,,,,,,,,
23,2,,165000-15300,, "GASKET;EX MANIFOLD",1,,,,,,,,,1,,,,,,,,,
24,2,,165000-16300,, GASKET,2,,,,,,,,,1,,,,,,,,,
25,2,,165000-23350,, GASKET,1,,,,,,,,,1,,,,,,,,,

Silverhorn.CO.UK

1 inc.2 ~ 25



0,Y00B7020
1,001,, "ENGINE SECTION (2TE67-BV)"
2,1,, "CYLINDER BLOCK",2TE67-BV,,,
2,2,, "CRANK SHAFT",2TE67-BV,,,
2,3,, "CYLINDER HEAD",2TE67-BV,,,
2,4,, "TIMING GEAR CASE & GOVERNOR",2TE67-BV,,,
2,5,, "INJECTION PUMP & INJECTOR",2TE67-BV,,,
2,6,, "WATER PUMP",2TE67-BV,,,
2,7,, "STARTING MOTER",2TE67-BV,,,
2,8,, GENERATOR,2TE67-BV,,,
2,9,, "INJECTION PUMP",2TE67-BV,,,
2,10,, "NOZZLE & HOLDER",2TE67-BV,,,
2,11,, "GASKET SET",2TE67-BV,,,
,

Silverhorn.CO.UK